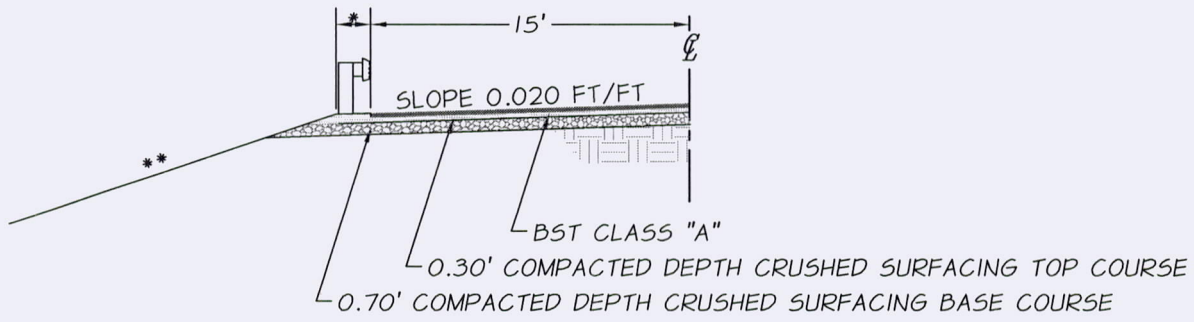


CROSS SECTION
NTS



* SEE WSDOT GUARDRAIL STANDARD PLANS FOR DIMENSIONS
** SLOPE PER PLANS

CROSS SECTION WITH GUARDRAIL
NTS

URBAN ACCESS (ACC) FUNCTIONAL CLASSIFICATION 19 ADT < 500
RURAL ACCESS (ACC) FUNCTIONAL CLASSIFICATION 09 ADT < 500

STANDARD RURAL ACCESS ROADWAY DETAIL



APPROVED BY: *[Signature]* DATE: 3/10/2020
County Engineer: _____

REVISION:	DESCRIPTION:	DATE:

ROADWAY SECTION
RS-7
SHEET 1 OF 1
FILE NAME: