



FIRE APPARATUS ACCESS ROADS APPROVED DRIVEWAYS DEAD-END ACCESS ROAD, TURNAROUNDS & TURNOUTS

Yakima County Public Services • 128 N. 2nd Street, 4th Floor • Yakima, WA 98901 • Phone (509) 574-2300 FAX (509) 574-2301

FIRE APPARATUS ACCESS ROAD (FAAR)

A road that provides fire apparatus access from a fire station to a facility, building or portion thereof. This is a general term inclusive of all other terms such as fire lane, public street, private street, parking lot lane and access roadway.

APPROVED DRIVEWAY TURNAROUND

A driveway turnaround with an inside turning radii of not less than 30 feet and outside turning radii of not less than 45 feet. Driveways that connect with a road or roads at more than one point may be considered as having a turnaround if all changes of direction meet the radii requirements for driveway turnarounds.

ALL-WEATHER ROAD SURFACE

An all-weather road surface shall be any surface material acceptable to the fire code official. The road shall be capable of supporting the imposed load of fire apparatus weighing at least 75,000 lbs.

APPROVED DRIVEWAY

A driveway that provides a minimum unobstructed width of 12 feet and a minimum unobstructed height of 13 feet 6 inches. **Driveways in excess of 150 feet in length shall be provided with an approved turnaround.** Driveways in excess of 200 feet in length and less than 20 feet in width shall be provided with approved turn outs, not to exceed 300 foot spacing, in addition to approved turnarounds.

APPROVED TURN OUT

A turn out that is adjacent to and adjoins the driveway or access road, with an all-weather surface at least 10 feet wide and 30 feet long, and 13 feet 6 inches of vertical clearance.

PRIVATE ROAD

Any road, access way or easement that provides access to two or more addressable structures or units that is not included in the County Road Network.

YCO 10-16, AMENDMENT TO FIRE APPARATUS ACCESS ROADS

LENGTH	WIDTH	TURNAROUND REQUIRED	TURNOUT REQUIRED
0-150'	12' MINIMUM WIDTH	NO	NO
151-200'	12' - 19' WIDTH	YES	NO
201-500'	12' - 19' WIDTH	YES	YES
	20' MINIMUM WIDTH	YES	NO
501-750'	20' MINIMUM WIDTH	YES	NO
OVER 750'	Special Approval Required		

Section 503.1.1 Exception. The fire code official is authorized to increase the dimension of 150 feet or allow an approved driveway or private road in lieu of a fire apparatus access road where:

The building is equipped with an approved automatic sprinkler system installed in accordance with Section 903.3.1.1, 903.3.1.2, or 903.3.1.3.



Fire apparatus access roads cannot be installed because of location on property, topography, waterways, non-negotiable grades or other similar conditions, and an approved alternative means of fire protection is provided.

There are not more than four Group R-3 or Group U Occupancies.



There is no land use action.

When a fire hydrant is located on a Fire Apparatus Access Road minimum road width is 26 feet.

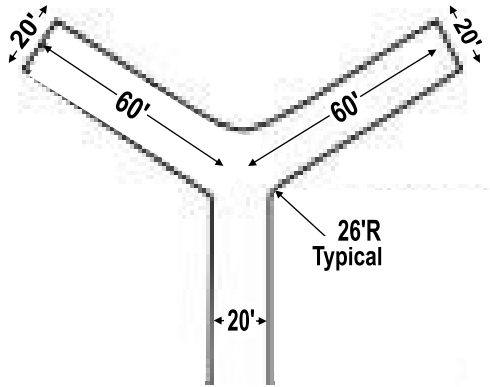
Fire Apparatus Access Roads are not to exceed 10% grade.

The purpose of turnarounds and turn outs is to allow emergency vehicles to operate safely.

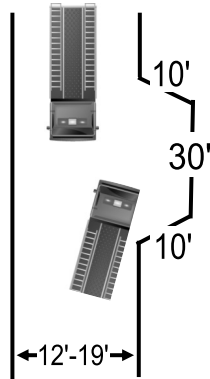
FAAR and turnarounds should be all weather surface and unobstructed, located within 150' of the structure.

Turnarounds shall not encroach on adjacent parcels, unless included within a legally established road maintenance agreement, an access easement, or road.

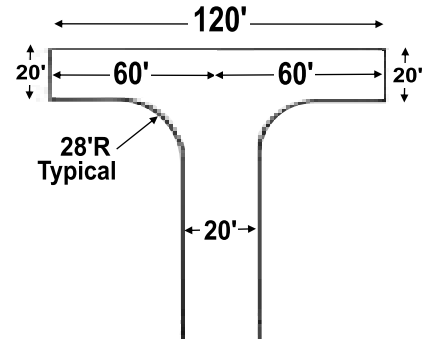
An approved driveway can be a Fire Apparatus Access Road per YCO 10-2016.



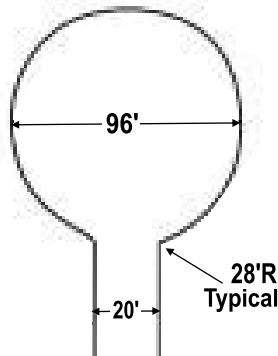
60' "Y"



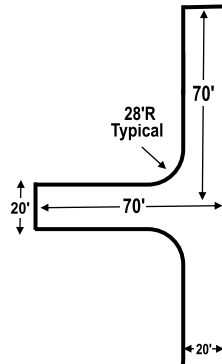
ACCEPTABLE TURNOUT



120' HAMMERHEAD



96' DIAMETER CUL-DE-SAC



ACCEPTABLE ALTERNATIVE TO 120' HAMMERHEAD

DEAD END FIRE APPARATUS ACCESS ROADS REQUIREMENTS, TABLE D103.4

Length	Width	TURNAROUND REQUIRED
0-150'	20' MINIMUM WIDTH	NONE REQUIRED
151-500'	20' MINIMUM WIDTH	120' HAMMERHEAD, 60' "Y" OR 96' DIAMETER CUL-DE-SAC IN ACCORDANCE WITH FIGURE D103.1
501-750'	26' MINIMUM WIDTH	120' HAMMERHEAD, 60' "Y" OR 96' DIAMETER CUL-DE-SAC IN ACCORDANCE WITH FIGURE D103.1
OVER 750'		SPECIAL APPROVAL REQUIRED